

SimFlex 25-60

SimFlex 15-60
SimFlex 25-60
SimFlex 32-60

1x230 V, 50Hz, IEC38	PI [W]	I [A]
Auto min.	4,00	0,05
Auto max.	47,1	0,483
Speed I - 4	6,66 - 45,2	0,8 - 0,483

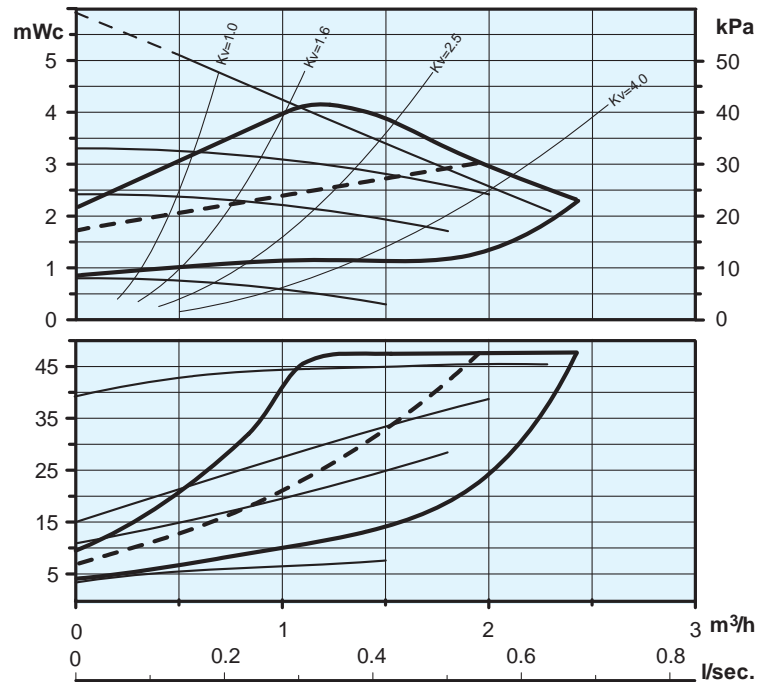
Temperature Range (TF 95 - CEN 335-2-51)

Water temp max. [°C]	95	-
Water temp min. [°C]	2	-
Ambient temp max. [°C]	40	-

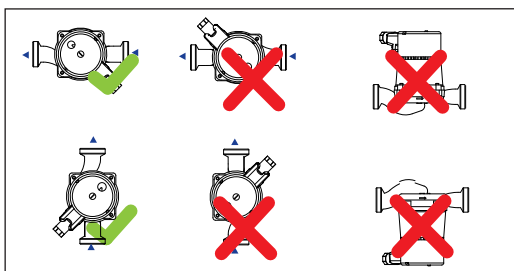
NPSH [bar]	80°C - 0,5	95°C - 1,5
Kg. (net)	2,8	

Model	H(mm)	G	RP
15-60*	130	1"	½"
25-60	130/180	1½"	1"
32-60	130/180	2"	1¼"

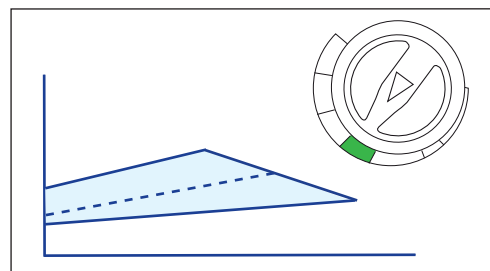
*Max flow slightly reduced



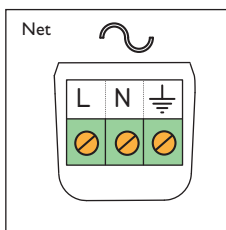
Installation



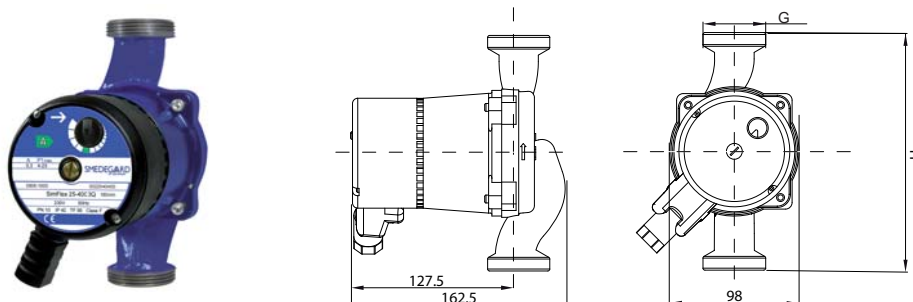
Settings



Electrical connection



Dimensions



Smedegaard reserve the right to change the product without prior notice and take no responsibility for inaccuracies or misprints.